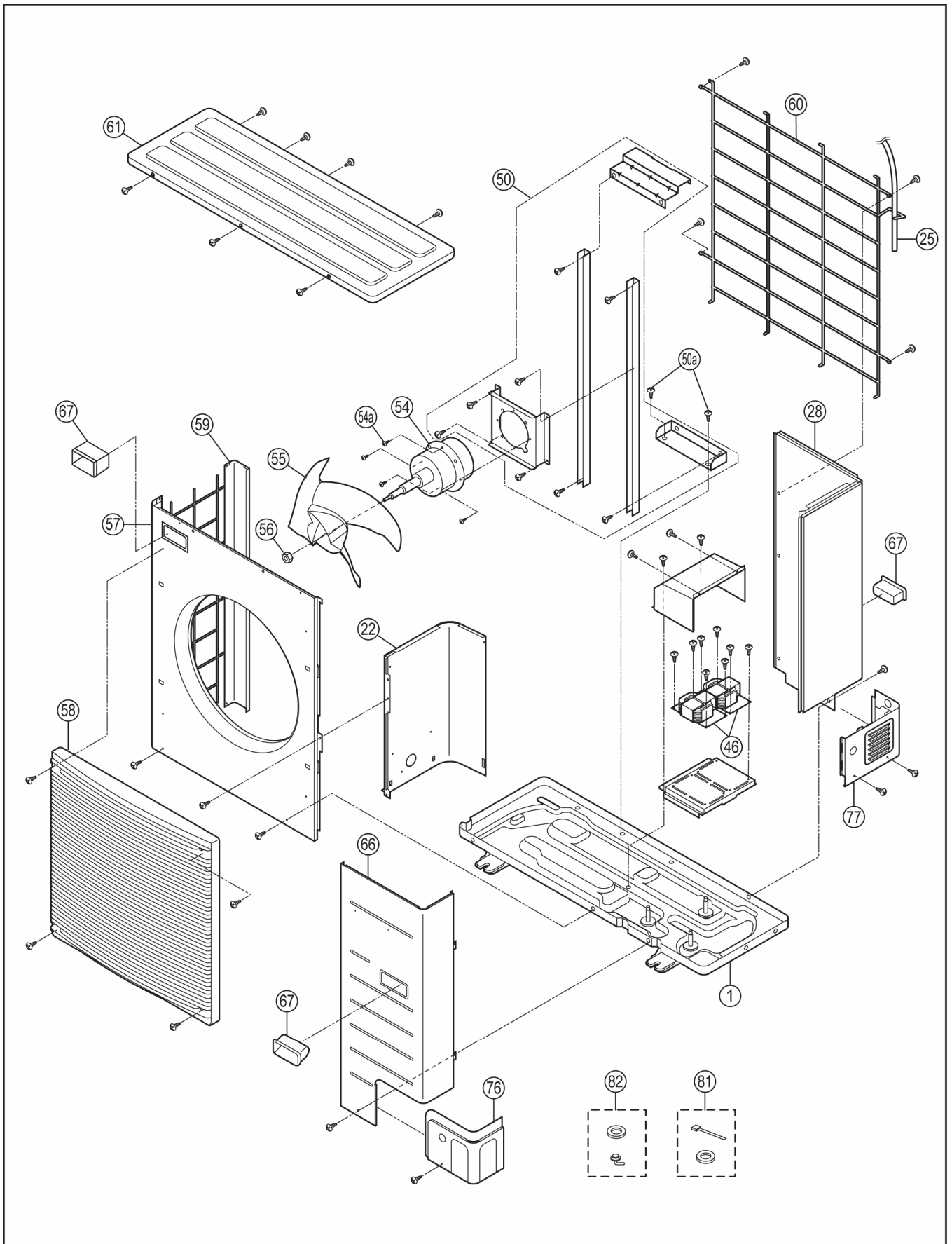
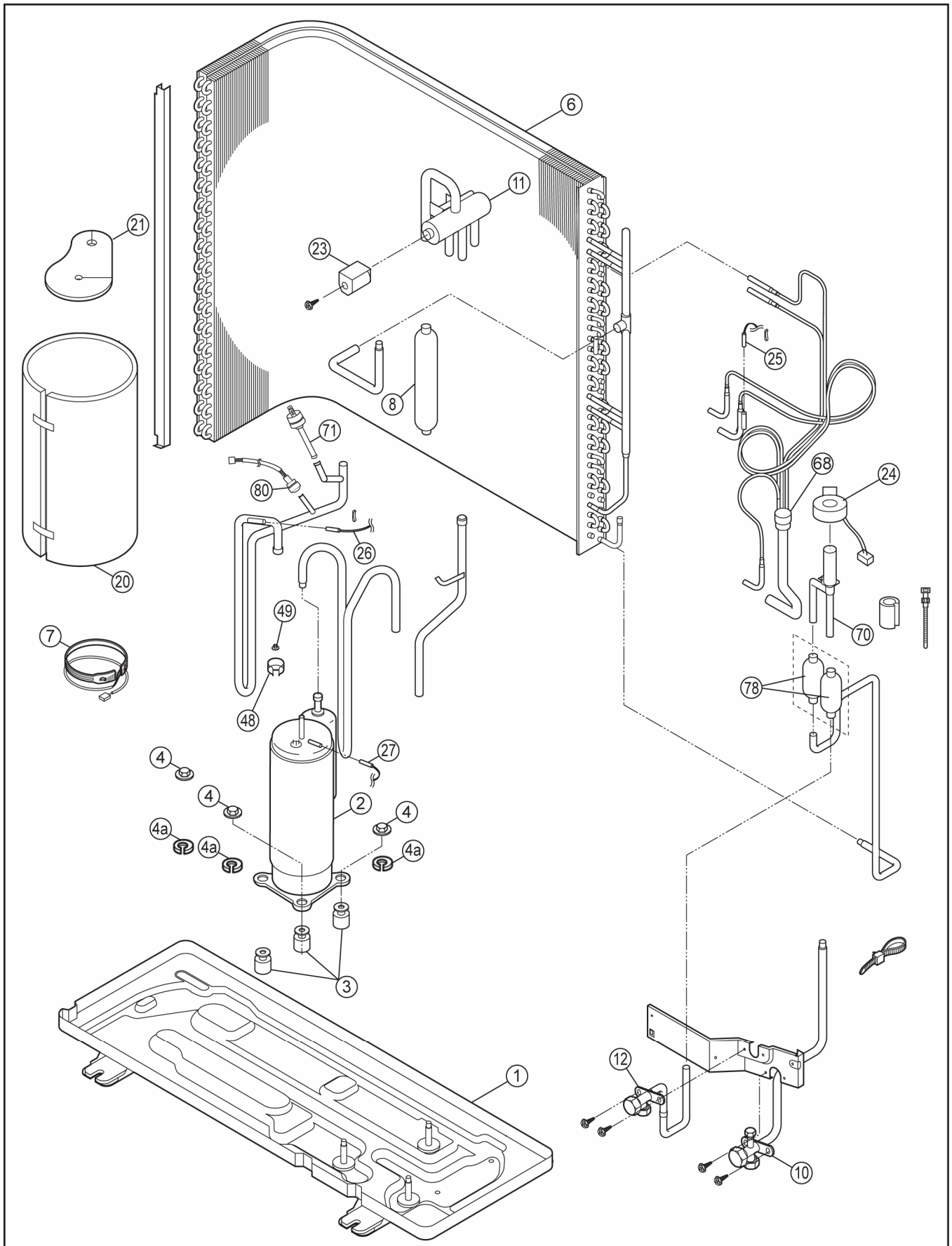
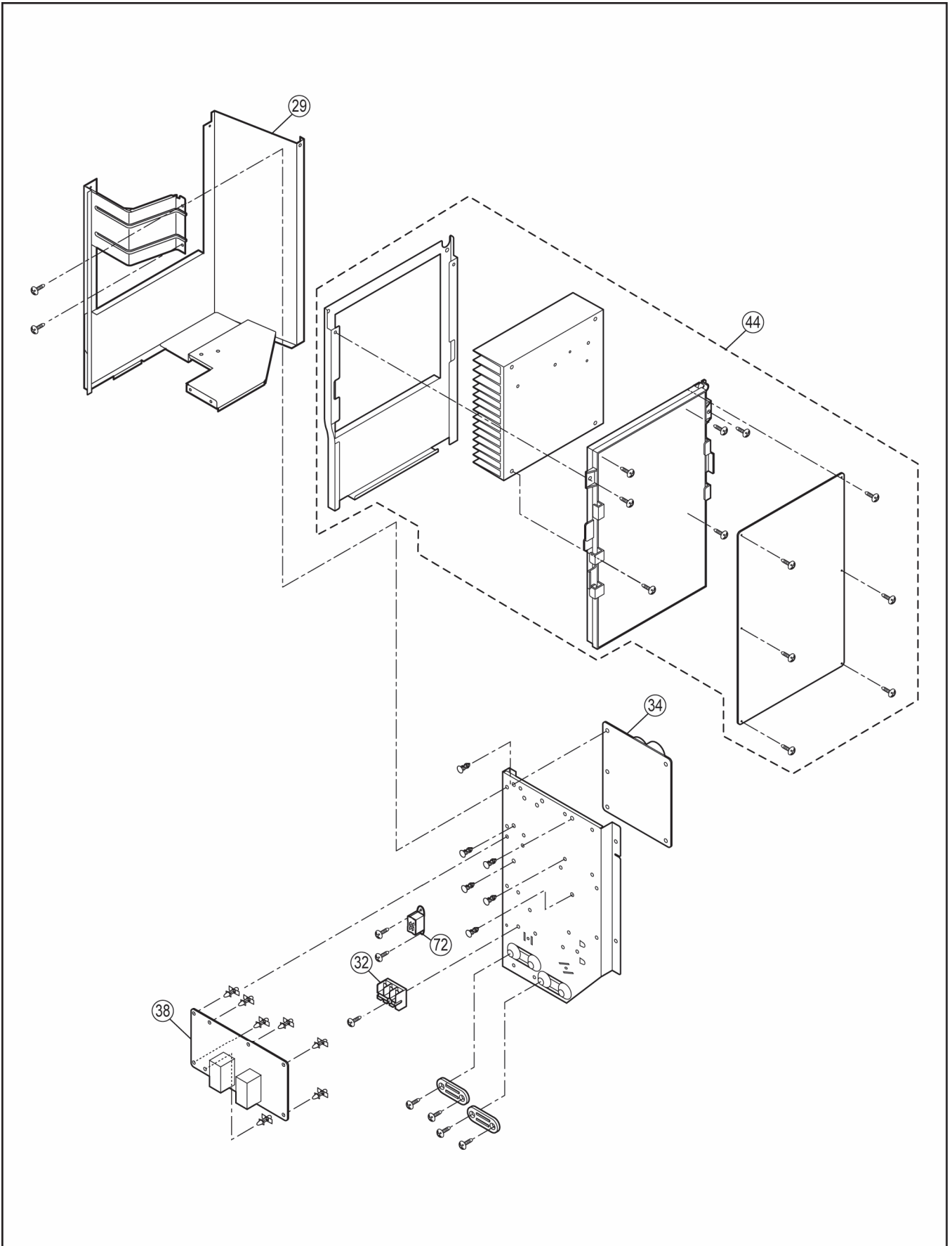


20.2 WH-UD07CE5-A WH-UD09CE5-A (WH-UD07CE5-A-1 WH-UD09CE5-A-1)







Note:

- The above exploded view is for the purpose of parts disassembly and replacement.
- The non-numbered parts are not kept as standard service parts.

<Model: WH-UD07CE5-A WH-UD09CE5-A (WH-UD07CE5-A-1 WH-UD09CE5-A-1)>

REF. NO.	DESCRIPTION & NAME	QTY.	WH-UD07CE5-A (WH-UD07CE5-A-1)	WH-UD09CE5-A (WH-UD09CE5-A-1)	REMARK
1	BASE PAN ASS'Y	1	CWD52K1294	←	
2	COMPRESSOR	1	5KD240XCC21	←	O
3	BUSHING - COMPRESSOR MOUNT	3	CWH50055	←	
4	NUT-COMPRESSOR MOUNT	3	CWH561049	←	
4a	GASKET FOR TERMINAL COVER	3	CWB811017	←	
6	CONDENSER COMPLETE	1	CWB32C2846	←	
7	CRANKCASE HEATER	1	CWA341043	←	
8	DISCHARGE MUFFLER	1	CWB121013	←	
10	3-WAYS VALVE (GAS)	1	CWB011251	←	
11	4-WAYS VALVE	1	CWB001026J	←	
12	2-WAYS VALVE (LIQUID)	1	CWB021330	←	
20	SOUND PROOF MATERIAL	1	CWG302678	←	
21	SOUND PROOF MATERIAL	1	CWG302246	←	
22	SOUND PROOF BOARD	1	CWH151195	←	
23	V-COIL COMPLETE - 4-WAYS VALVE	1	CWA43C2169J	←	O
24	V-COIL COMPLETE - EXP.VALVE	1	CWA43C2342	←	O
25	SENSOR-COMP. (OUTLET & COND.THERMISTOR)	1	CWA50C2652	←	O
26	SENSOR-COMP. (DISCHARGE THERMISTOR)	1	CWA50C2528	←	O
27	SENSOR-COMPLETE	1	CWA50C2665	←	O
28	CABINET REAR PLATE-COMPLETE	1	CWE02C1058	←	
29	CONTROL BOARD CASING	1	CWH10K1100	←	
32	TERMINAL BOARD ASS'Y	1	CWA28K1198	←	O
34	ELECTRONIC CONTROLLER - CAPACITOR	1	CWA746184	←	O
38	ELECTRONIC CONTROLLER-NF	1	CWA745745	←	O
44	ELECTRONIC CONTROLLER (MAIN)	1	CWA73C4833R	CWA73C4834R	O
46	REACTOR	2	G0C592J00005	←	O
48	TERMINAL COVER	1	CWH171039A	←	
49	NUT-TERMINAL COVER	1	CWH7080300J	←	
50	FAN MOTOR BRACKET	1	CWD54K1052	←	
50a	SCREW-FAN MOTOR BRACKET	2	CWH551040J	←	
54	FAN MOTOR	1	EHDS80C60AC	←	O
54a	SCREW-FAN MOTOR MOUNT	4	CWH551323	←	
55	PROPELLER FAN ASSY	1	CWH00K1006	←	
56	NUT	1	CWH561092	←	
57	CABINET FRONT PLATE	1	CWE061118A	←	
58	DISCHARGE GRILLE	1	CWE201073	←	
59	CABINET SIDE PLATE ASSY	1	CWE04K1019A	←	
60	WIRE NET	1	CWD041102A	←	
61	CABINET TOP PLATE CO.	1	CWE03C1095	←	
66	CABINET FRONT PLATE CO.	1	CWE06C1245	←	
67	HANDLE	3	CWE161008	←	
68	TUBE ASSY (CAP. TUBE)	1	CWT07K1547	←	
70	EXPANSION VALVE	1	CWB051029	←	
71	PRESSURE SWITCH	1	CWA101013	←	
72	ELECTRO MAGNETIC SWITCH	1	CWA001023	←	O
76	PIPE COVER (FRONT)	1	CWD601074A	←	
77	PIPE COVER (BACK)	1	CWD601075A	←	
78	STRAINER	2	CWB111024	←	
80	HIGH PRESSURE SENSOR	1	CWA50C2570	←	O

REF. NO.	DESCRIPTION & NAME	QTY.	WH-UD07CE5-A (WH-UD07CE5-A-1)	WH-UD09CE5-A (WH-UD09CE5-A-1)	REMARK
81	ACCESSORY-COMPLETE	1	CWH82C1535	←	
82	ACCESSORY CO. (DRAIN ELBOW)	1	CWG87C900	←	

(Note)

- All parts are supplied from PAPAMY, Malaysia (Vendor Code: 00029488).
- "O" marked parts are recommended to be kept in stock.